

# RM-1000 PARTS BOOK

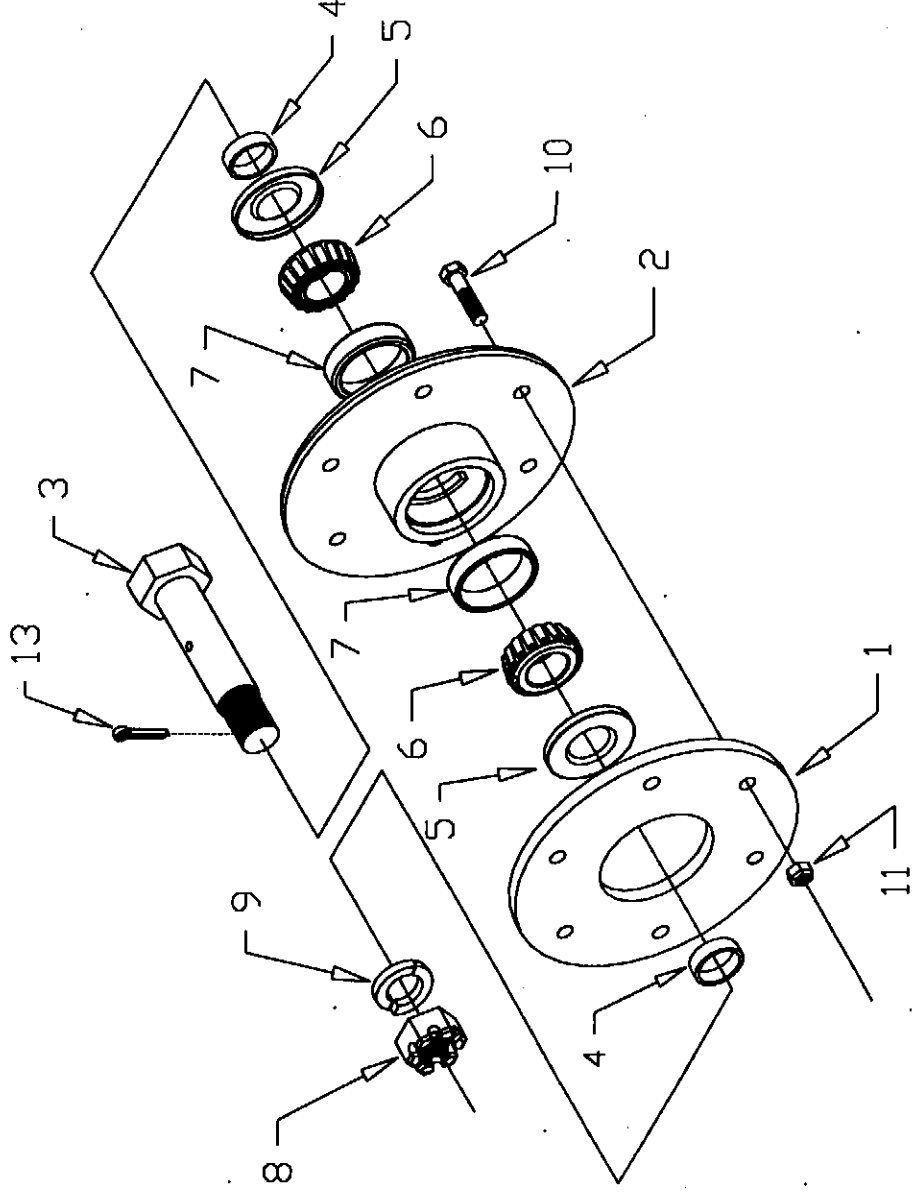
ITEM #	PART #	DESCRIPTION	QTY. REQUIRED
1	H500503	WING	2
2	H501101	HANDLE	1
3	H501002	PIVOT NUT	1
4	NC100150	BOLT	2
4	LW100	LOCK WASHER	2
5	H501000	DEPTH SCREW	1
6	FW100	FLAT WASHER	2
6	CK025300	COTTER KEY	1
7	H500900	DEPTH SLIDE	1
7	NC062300	BOLT	1
7	LN062	LOKCNUT	1
8	CB062200	CARRIAGE BOLT	8
8	NC062	NUT	8
8	LW062	LOCK WASHER	8
9	H501520	DISC	2
9	LN150	LOCK NUT	2
10	NC100350	BOLT	4
10	LW100	LOCK WASHER	4
10	P-7370L	DISC BOX ASSEMBLY	2
11	RM-1000 FR.	PLOW FRAME	1
12	SS062250	SET SCREW	2
12	NC062	NUT	2
13	H500400	MIDDLE BUSTER	1
13	NC075400-G8	GRADE 8 BOLT	2
13	NC075	NUT	2
13	LW075	LOCK WASHER	2
14	H500700A	COULTER ARM	2

# RM-1000 PARTS BOOK

ITEM #	PART #	DESCRIPTION	QTY. REQUIRED
15	H501302A	COULTER ASSEMBLY	1
16	H501415	COULTER BLADE	1
17	NC088650	BOLT	2
17	NC088	NUT	2
17	LW088	LOCK WASHER	2
17	FW088	FLAT WASHER	2
18	S501803H	FRONT CYLINDER PIN	1
19	H501208H	SWIVEL HITCHALIZER PIN	1
20	CK038300	COTTER KEY	3
21	H500500-12	TRACTOR HITCH PIN	1
22	S02H	SWIVEL	1
23	S886	TRACTOR HITCH	1
24	S886-LA	LATCH ASSEMBLY	1
25	NC075375	BOLT	2
25	LN075	LOCK NUT	2
26	NC062450	BOLT	2
26	LN062	LOCK NUT	2
27	H501211	HITCHALIZER	1
28	NC125650	BOLT	2
28	NC125	NUT	2
28	LW125	LOCK WASHER	2
29	AB9-H	HYDRAULIC CYLINDER	1
30	S501804H	REAR CYLINDER PIN	1
31	S501900H	SPRING ROD	1
32	M101800H	TRUNION	1
32	NC100450	BOLT	1
32	NC100	NUT	1

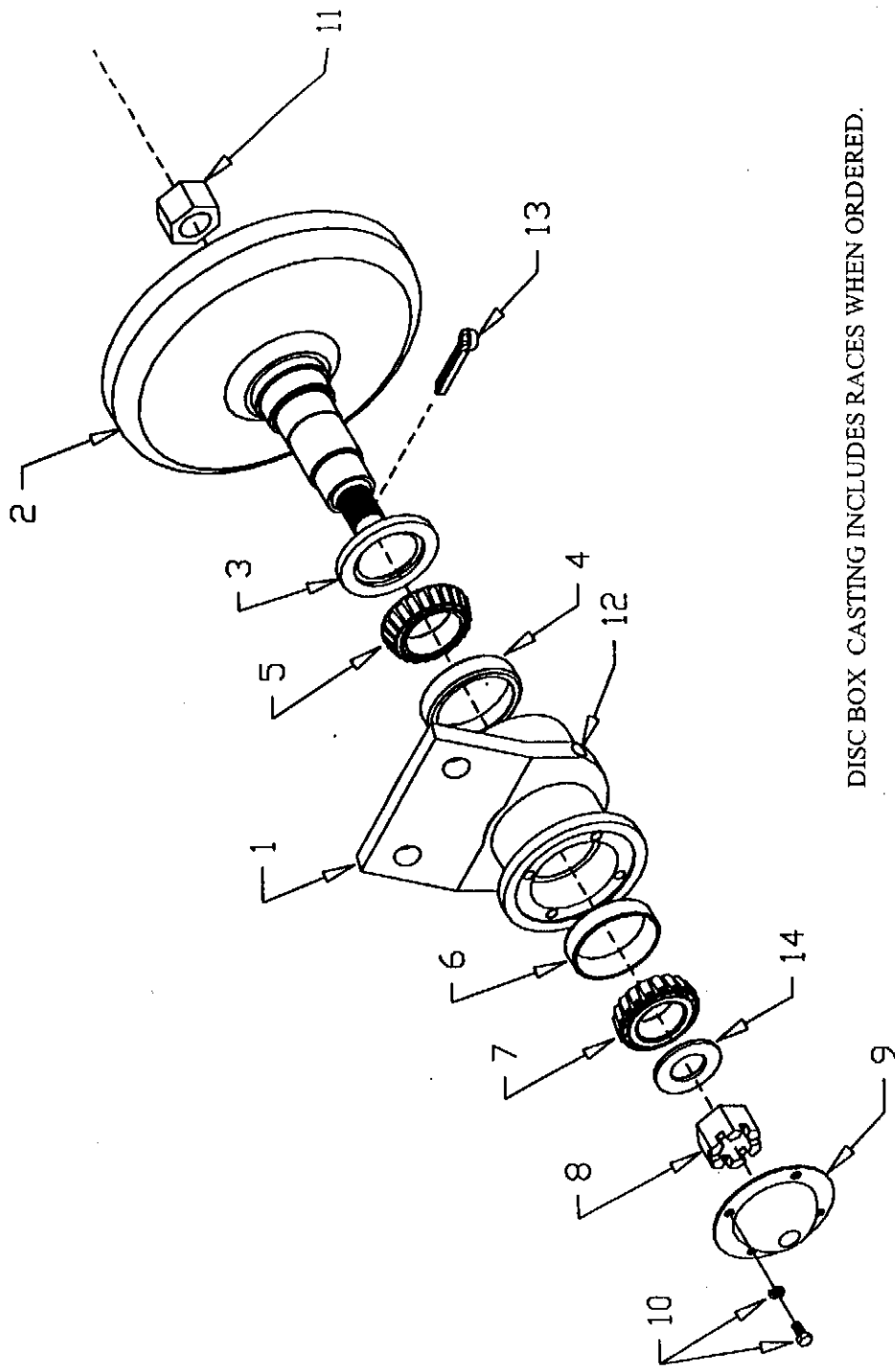


H501302A  
COULTER ASSEMBLY LESS BLADE



ITEM #	PART #	DESCRIPTION	QTY. REQUIRED
1	H501301	COULTER RING	1
2	H501302	COULTER HUB (6-HOLES)	1
3	H501401	COULTER AXLE	1
4	H501402	COULTER AXLE SPACER	2
5	H501407	SEAL (17746)	2
6	H501408	BEARING (2788)	2
7	H501409	RACE (2720)	2
8	NC125S	1 1/4" SLOTTED NUT	1
9	LW125	1 1/4" LOCK WASHER	1
10	NC050200	1/2"X2" BOLT	6
11	LN050	1/2" LOCKNUT	6
13	CK025300	COTTER KEY	1

# P-7370L J-DISC BOX ASSY.



DISC BOX CASTING INCLUDES RACES WHEN ORDERED.

ITEM #	PART #	DESCRIPTION	QTY REQUIRED
01	P-7370	TWO HOLE DISK BOX	1
02	P-7374J	DISC HUB	1
03	P-31299	GREASE SEAL	1
04	P-3920	RACE	1
05	P-3984	BEARING	1
06	P-453X	RACE	1
07	P-462	BEARING	1
08	NF150S	NUT	1
09	P-10	GREASE CAP	1
10	NC038300	3/8"X3/4" BOLT	4
11	LW038	3/8" LOCK WASHER	4
12	GF312	GREASE FITTING	2
13	CK025300	COTTER KEY	1
14	FW150	FLAT WASHER	1

# AB9-H HYDRAULIC CYLINDER PARTS BOOK

ITEM #	PART #	DESCRIPTION	QTY. REQUIRED
1	AB9H-R	PISTON ROD	1
2	AB9H-BTA	BUTT & TUBE ASSEMBLY	1
3	AB9H-N	LOCKNUT	1
4	AB9H-P	PISTON	1
5	AB9H-G	GLAND	1
7-13	PMCK-AB90	PACKING REPAIR KIT	1
14	S501-8-8R	RESTRICTOR FITTING	1

NOTE: DO NOT REMOVE RESTRICTOR FITTING. RESTRICTOR RELIEF VALVE NEEDS TO BE AT 1800 TO 2000 P.S.I. AT CYLINDER TOP HOSE FITTING.

